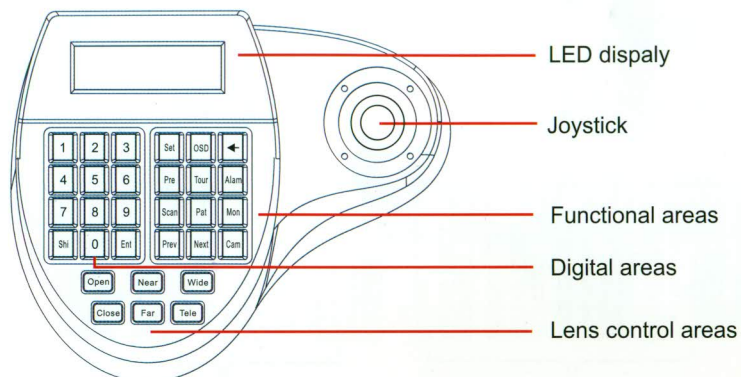
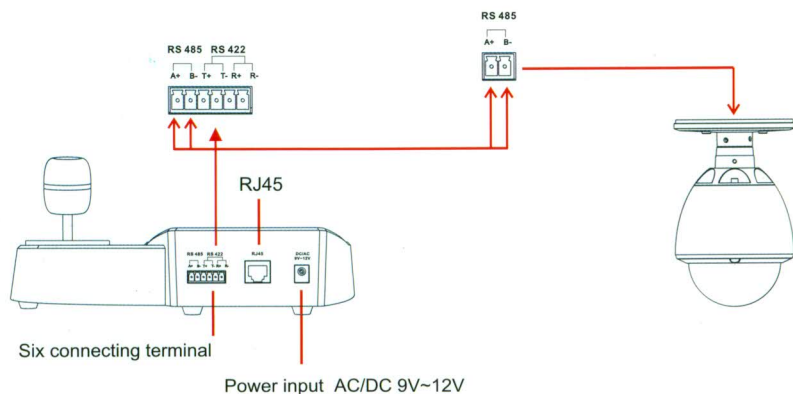


# Keyboard Manual

## (1) Keyboard Operation



## (2) Keyboard connection the dome camera



## (3) Keyboard instruction

Shortcuts	Function
Tele	Zoom In
Wide	Zoom Out
Far	Far Focus
Near	Near focus
Close	Iris In
Open	Iris Out
OSD	Open the main menu speed dome
Set	Press and hold for 3 seconds to open the keyboard menu
←	Backspace
Ent	Confirm key
Prev	Speed dome address minus 1
Next	Speed dome address plus 1
Shi	Shift button
Shi+OSD	Speed dome turn up and menu
Shi+Pat	Down navigation key, you can control the speed dome turn down and menu down
Shi+Pre	Left navigation keys, control the speed dome turn left.
Shi+Alam	Right navigation keys to control the speed dome turn right.
N+Cam	Enter the number of speed dome, press the [Cam] button, select the target ball machine
N+Alam	Enter the alarm device number, press [Alam] button, select the target alarm equipment
N+Mon	Enter the monitor number, press the [Mon] button, select the target monitor
Set+N+Pre	Transferred to the target location of the speed dome, press [Set] button, enter the preset number [N] and press [Pre] key, set the preset point
N+Pre	Enter the preset number [N], press [Pre] key, call preset points
Shi+Set +N+Pre	Hold [Shi] [Set] simultaneously hold, screen display Clear:, enter the preset you want to delete, then press the [Pre] key to delete the preset point
Set+1+Scan	Press [Set] [1] [Scan] to set the level of the left scanning limitation
Set+2+Scan	Press [Set] [2] [Scan] to set the the level of right scanning limitation.
Scan	Press the [Scan] boot horizontal scan.
Shi+Set+Scan	Hold [Shi] [Set] simultaneously , screen display Clear:, press [Scan] to stop the horizontal scan
Set+N+Pat+N +Pre +Set+Pat	Press [Set] [N: on behalf of the path number] [Pat], screen display Set Pattern N, then press the [N: on behalf of the preset point] [Pre] Note that you can call the number by N + Pre preset point, press [Set] [Pat] end of the setting.
N+Pat	Press [N] [Pat] or [Pat] start scanning pattern
Shi+Set+Pat	Hold [Shi] [Set] simultaneously hold, screen display Clear:, press [Pat] to stop scanning pattern
N+Tour	Press [N] [Tour] or [Tour] Start cruise
Shi+Set+Tour	Hold [Shi] [Set] simultaneously , screen display Clear:, press [Tour] to stop cruising